

Technical data sheet



Product features

Toaster 3x holders

Model	SAP Code	00004294
--------------	-----------------	----------



- Standard equipment for device: 3x tongs, grid
- Timer: Yes
- Material: Stainless steel
- Indicators: operation and warm-up
- Removable rear wall of the device: Yes
- Container for liquid fat: Yes

SAP Code	00004294	Net Weight [kg]	8.00
Net Width [mm]	453	Power electric [kW]	2.000
Net Depth [mm]	274	Loading	230 V / 1N - 50 Hz
Net Height [mm]	288	Standard equipment for device	3x tongs, grid

Technical data sheet



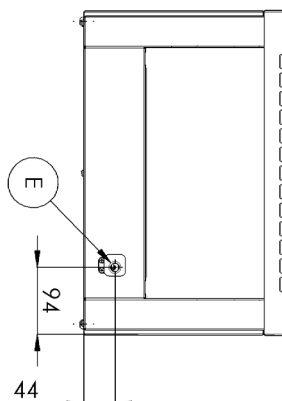
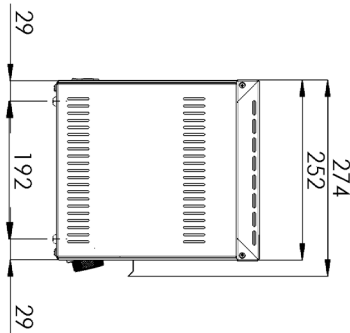
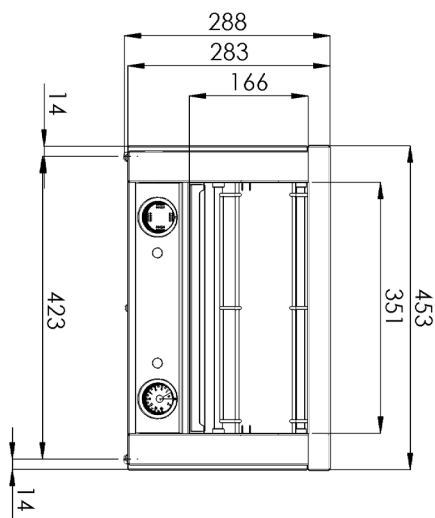
Technical drawing

Toaster 3x holders

Model

SAP Code

00004294



Toaster 3x holders

Model

SAP Code

00004294

1

All-stainless design

only stainless steel intended for food contact is used

- absolutely rust-proof and non-magnetic design
- resists even weak acids easier compliance with hygiene standards (HACCP); easy maintenance and cleaning

2

Run and warm-up light

optical possibility to check the status of the device

- the operator immediately knows what state the appliance is in on/off, heating/not heating

3

Separate control for individual sections

the possibility of a heating system separately

- greater variability of use

4

Catch container for breadcrumbs

breadcrumbs fall outside the furnace

- no crumbs falling off

5

Removable back wall

possibility to open the back wall of the device

- possible filling of the equipment by the operator

6

Silicon heaters

immediate onset of heat
intense radiant heat

- the device can be switched off even during the operating day
- toasted food vigorously and without overheating inside
- faster food preparation

7

The tongs and grid are part of the standard equipment

I can put the food on the grate or put it in tongs

- universally applicable equipment
- I can prepare different types of food using standard equipment

Technical data sheet



Technical parameters

Toaster 3x holders

Model

SAP Code

00004294

1. SAP Code:

00004294

2. Net Width [mm]:

453

3. Net Depth [mm]:

274

4. Net Height [mm]:

288

5. Net Weight [kg]:

8.00

6. Gross Width [mm]:

355

7. Gross depth [mm]:

500

8. Gross Height [mm]:

320

9. Gross Weight [kg]:

9.00

10. Device type:

Electric unit

11. Construction type of device:

Table top

12. Material:

Stainless steel

13. Power electric [kW]:

2.000

14. Loading:

230 V / 1N - 50 Hz

15. Standard equipment for device:

3x tongs, grid

16. Protection of controls:

IPX4

17. Timer:

Yes

18. Removable rear wall of the device:

Yes

19. Container for liquid fat:

Yes

20. Indicators:

operation and warm-up